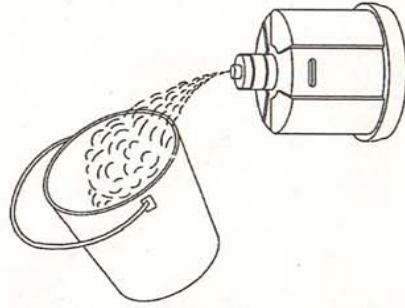


ASSEMBLY INSTRUCTION

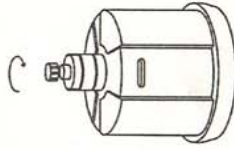
STEP-1

FILL THE BASE WITH WATER.



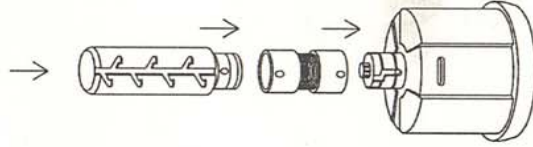
STEP-2

LID THE BASE.



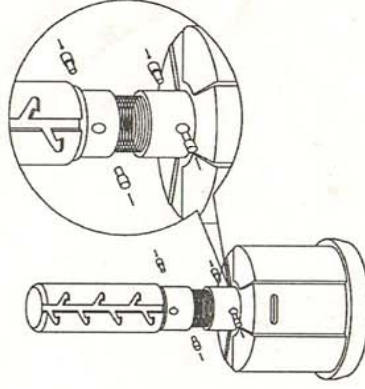
STEP-3

MATCH TWO HOLES BETWEEN THE MIDDLE RUBBER AND BASE.



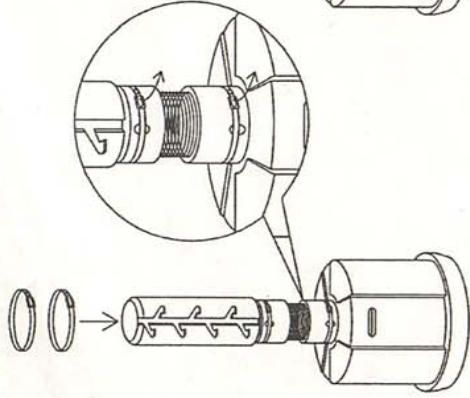
STEP-4

PUT FOUR RUBBER PLUGS INTO BOTH SIDES.



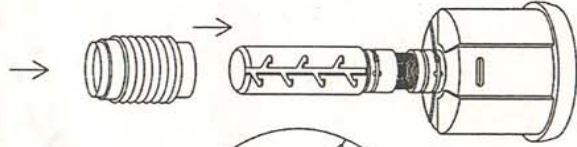
STEP-5

PUT 2 STEEL HOOPS OUTSIDE THE MIDDLE RUBBER AND LOCKED.



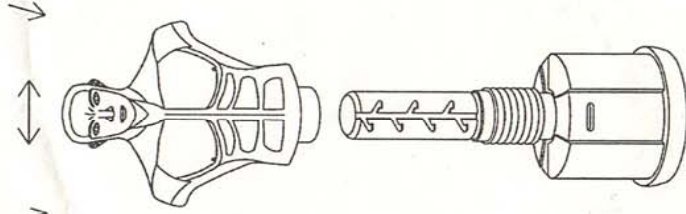
STEP-6

PUT THE PROTECTIVE SLEEVE OUTSIDE THE MIDDLE RUBBER.



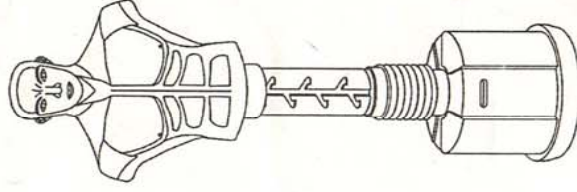
STEP-7

SHAKE AND SLIP ON THE BAG TO THE MIDDLE RUBBER.



STEP-8

FINISHED.



104-2-104